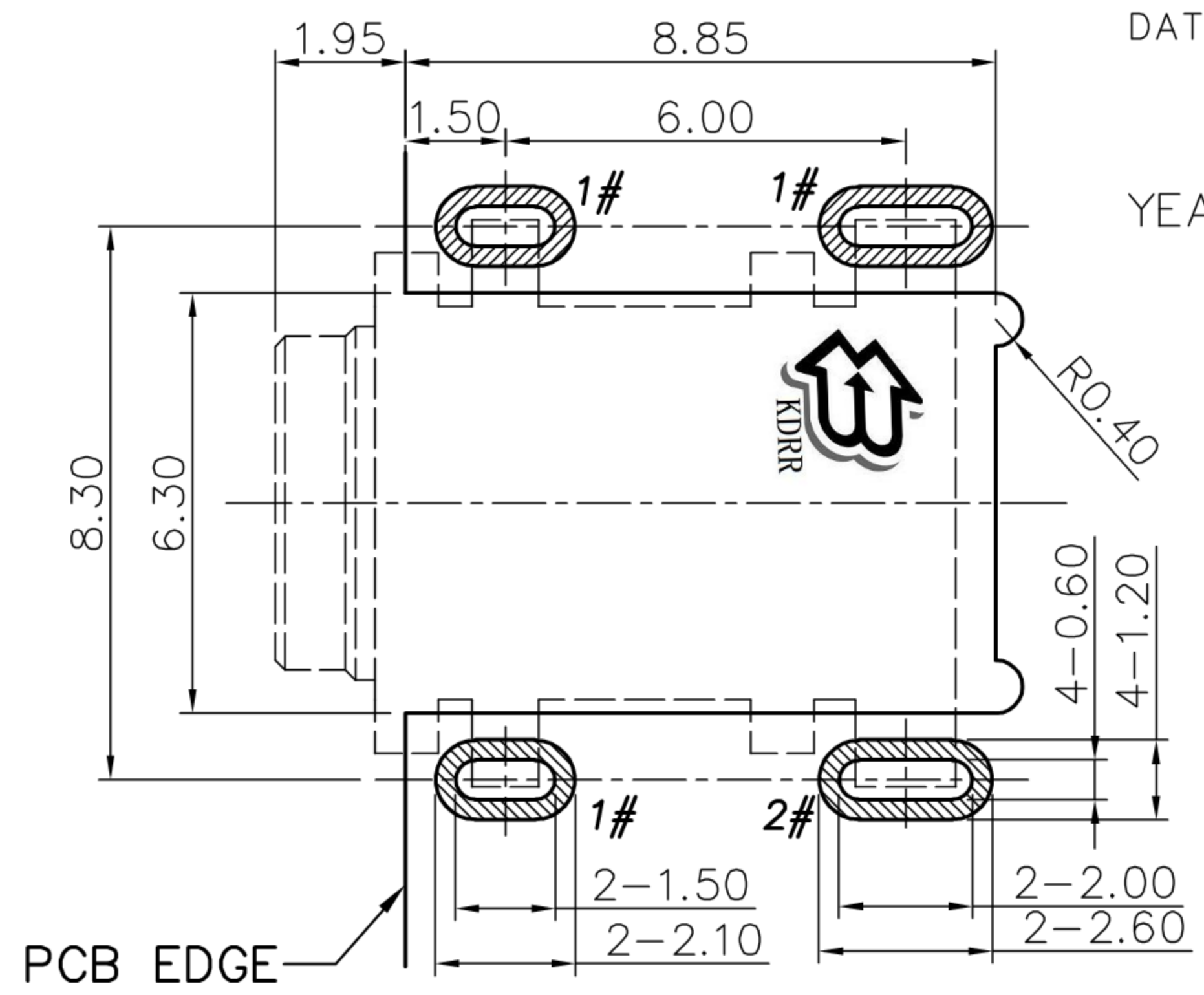
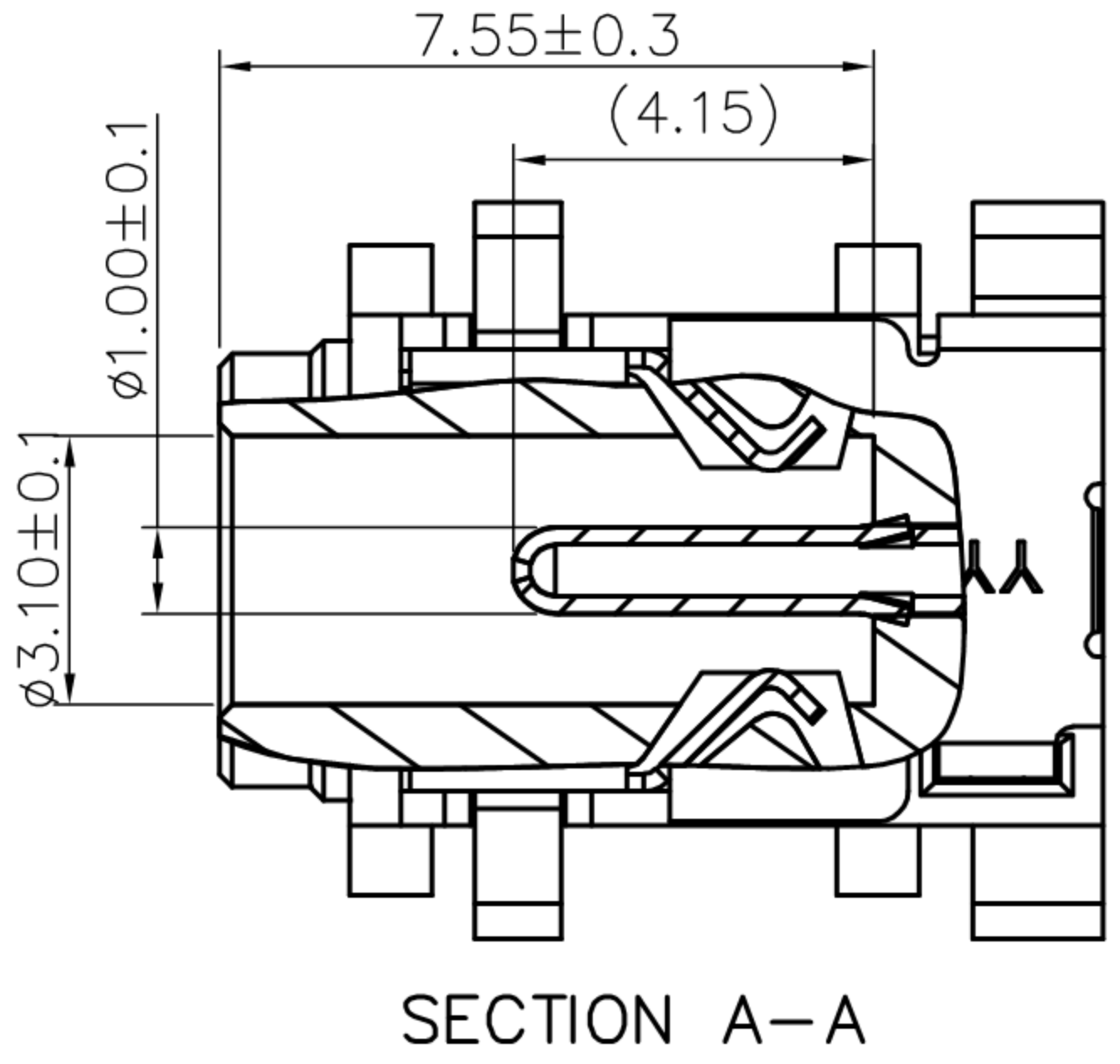
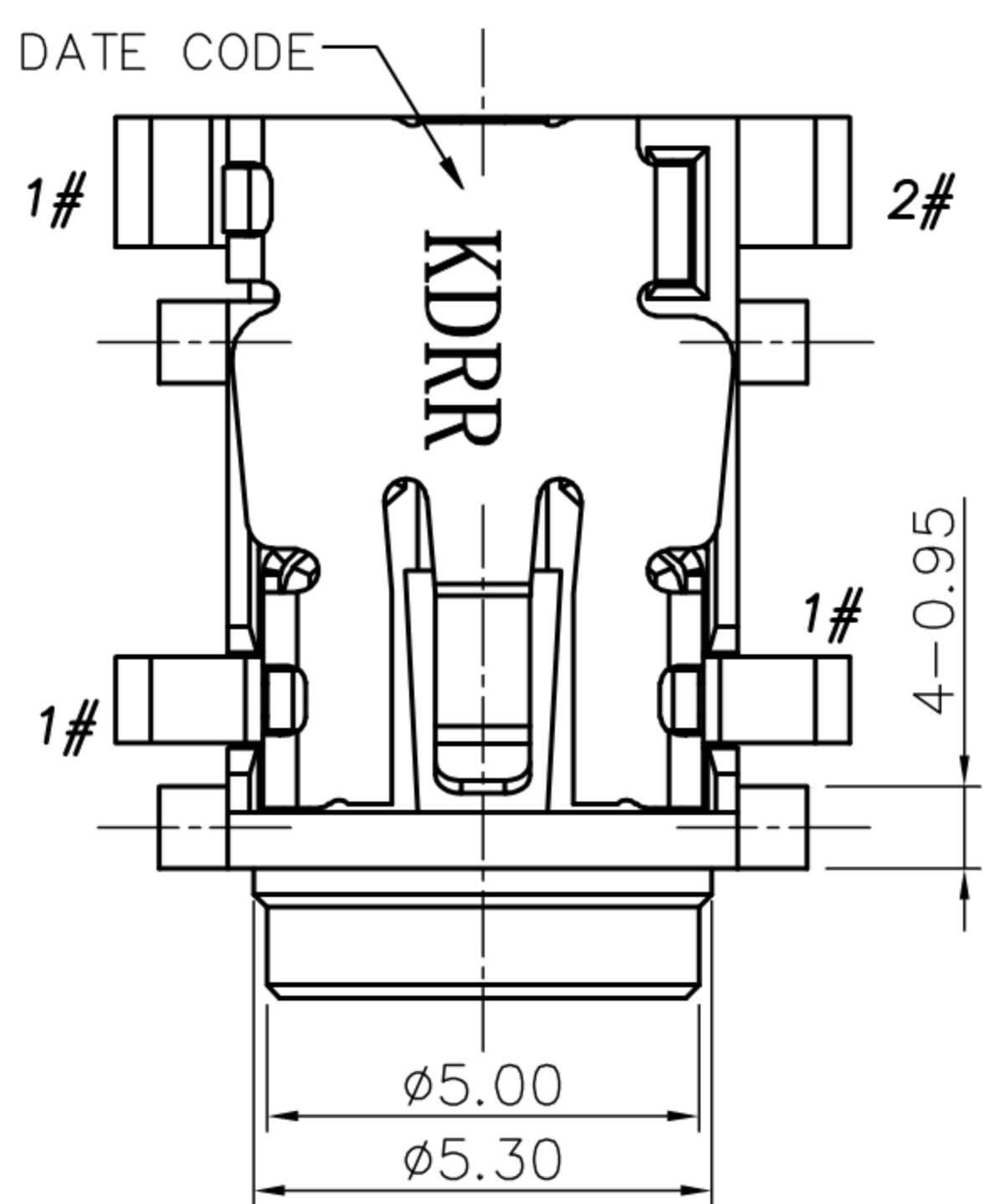


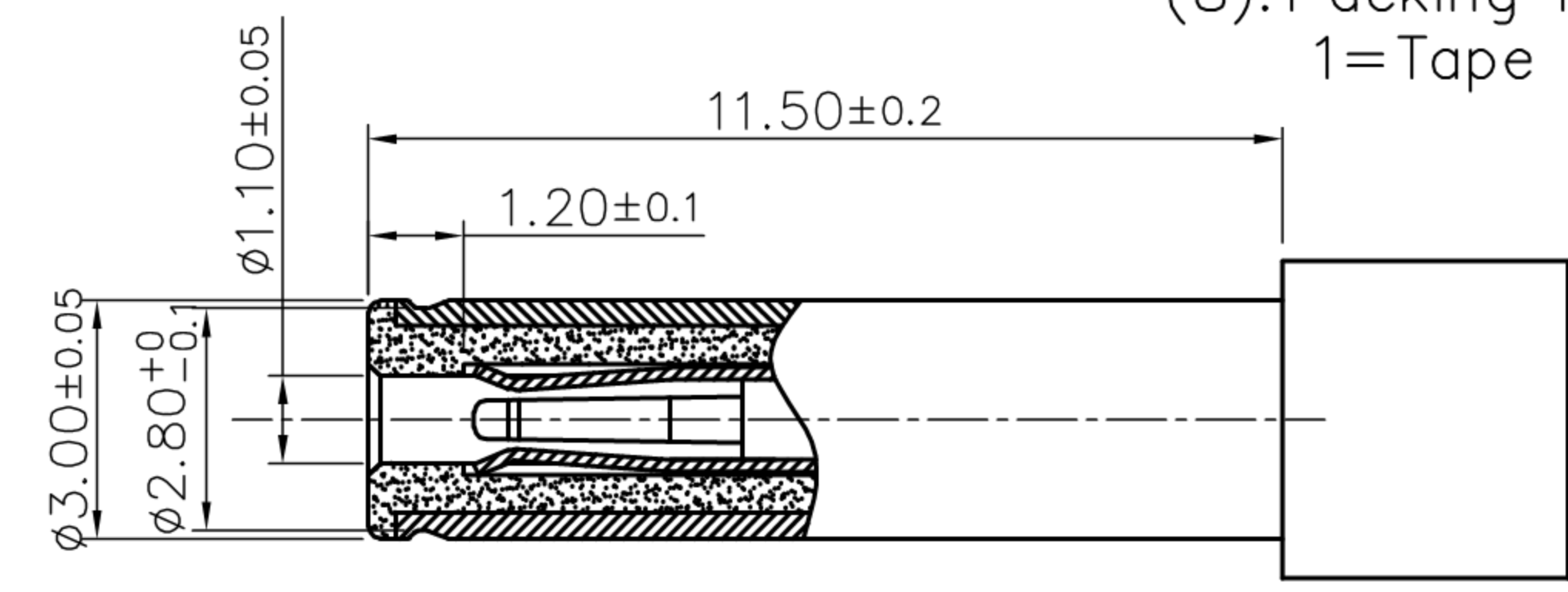
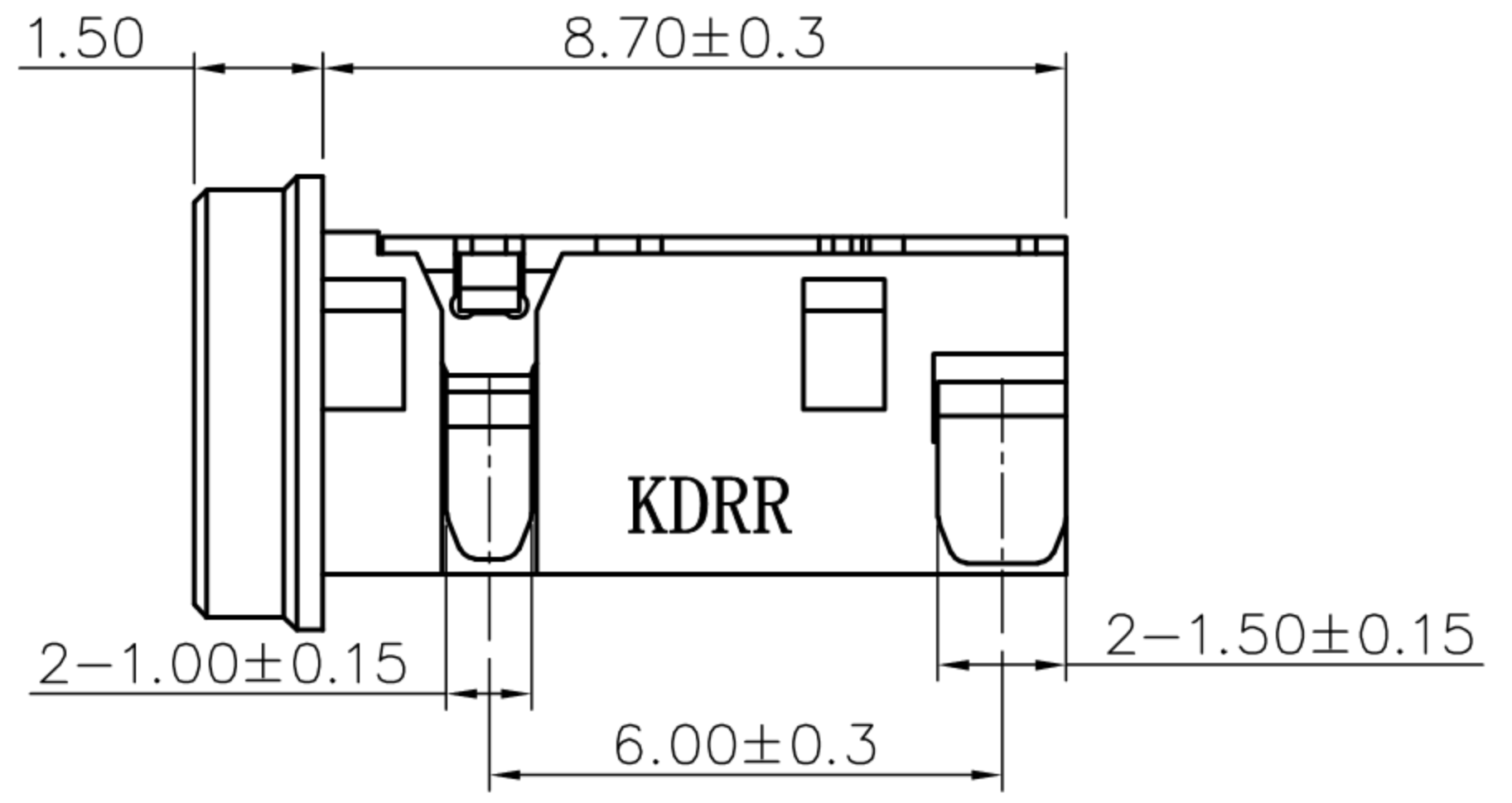
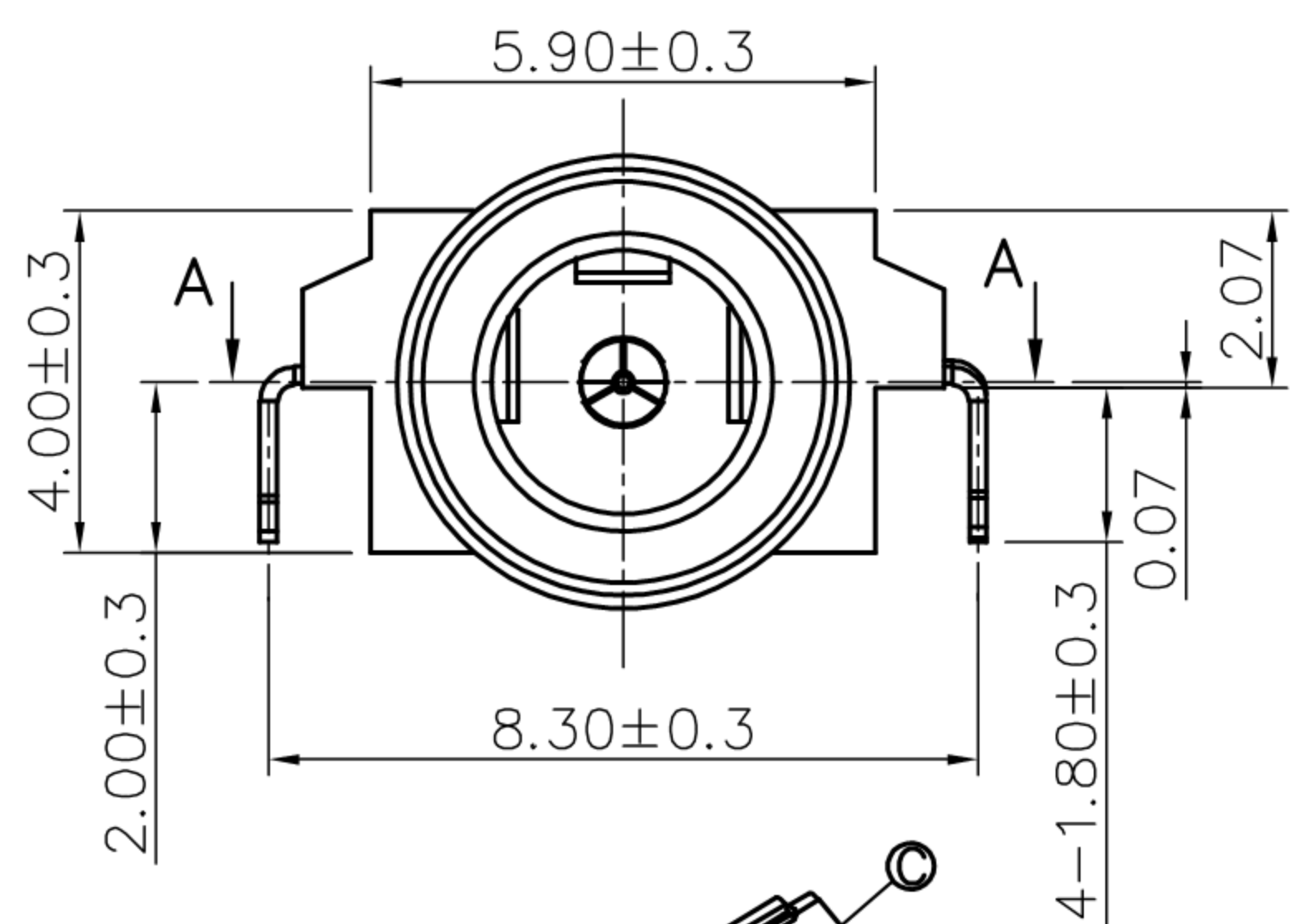
DATE CODE: **GD-DC-0196**
 YEAR _____ Date _____
 MONTH _____



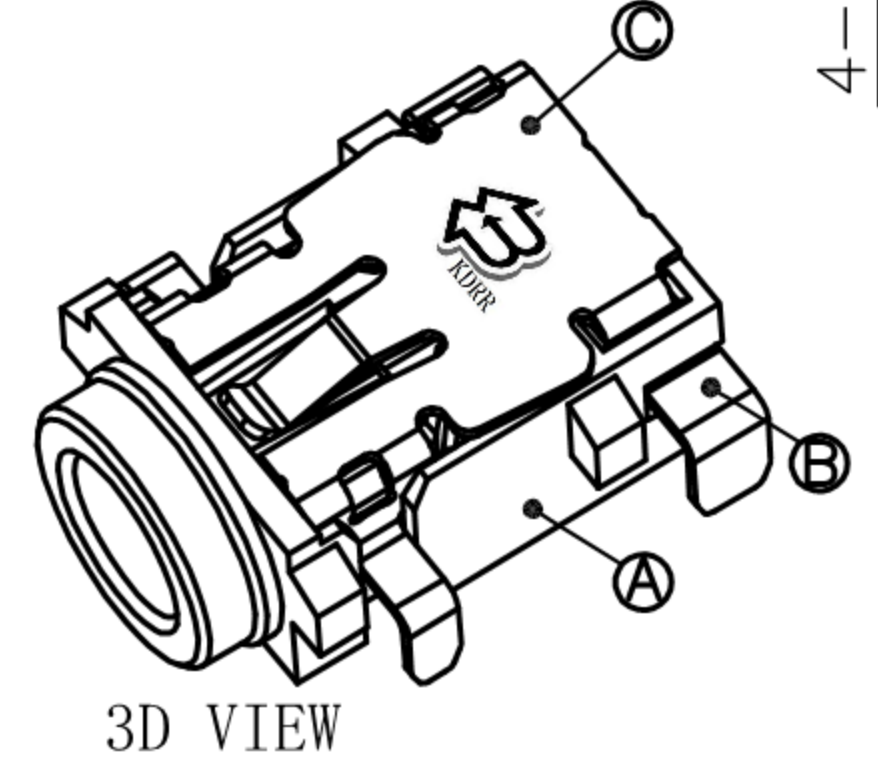
Ordering information:
GD-DC-0196
 (1) (2) (3) (4) (5) (6) (7) (8)
 (1): Series No.
 (2): Schematic option: B
 (3): Center pin diameter:
 C=φ1.00
 (4): Material of housing:
 10=PA10T
 (5): Housing color:
 0A=Black
 (6): Terminal plating:
 G=Gold Flash(Au)
 (7): Special option:
 0=No special option
 (8): Packing mode:
 1=Tape Reel packing



RECOMMENDED P. C. B. LAYOUT
 UNSPECIFIED TOLERANCE: ±0.05
 (TOP VIEW)



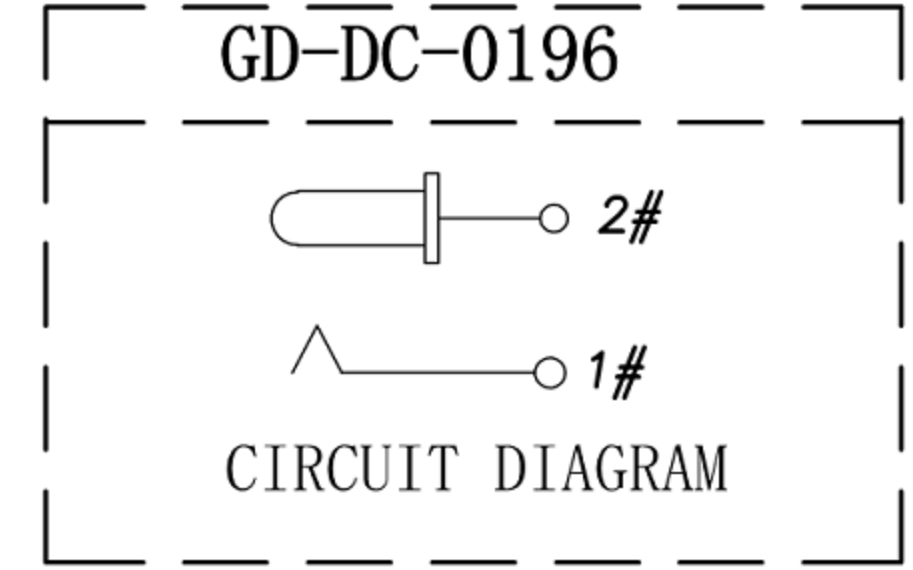
MATING PLUG SPEC



3D VIEW


SPECIFICATION

1. Rating : DC 12V 30V , 30A 50A
2. Contact resistance : ≤30mΩ
3. Insulation resistance : ≥100MΩ
4. Withstand voltage : 500VAC
5. Insertion and extraction force : 3-20N
6. life test : 5,000 cycles

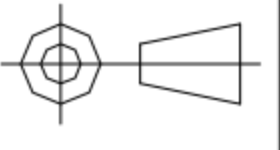


NO.	DESCRIPTION	QTY	MATERIAL	PLATING
⑥	COVER	1	PF	
⑤	CONTACT FOOT	1	BRASS	Sn-Plating
④	PIN	1	BRASS	Ni-Plating
③	SPRING	1	PHOSPHOR BRONZE	Sn-Plating
②	FLAT PIECE	1	BRASS	Sn-Plating
①	HOUSING	1	PBT	

ITEM NO.	DESCRIPTION	DRAWN	DATE
4	更新材質	Jack	050420
3	更新尺寸	Jack	121119
2	更新尺寸標示位置	Jack	082719
1	更新尺寸	Jack	080519


东莞市高迪电子有限公司
 Dong Guan KDRR Electronic Switch Jack Co., Ltd.

TOLERANCE UNLESS OTHERWISE STATED:
 Up to 5 ±0.2
 Above 5 ~ 15 ±0.3
 Above 15 ~ 30 ±0.4
 Above 30 ~ 50 ±0.5
 Angle ±0.3°

3RD. ANGEL'S

 UNITS MM

DRAWN BY: Ming Ming Zou	DATE 6/8/23	MAT'L	TITLE JACK
CHECKED BY: Ning Ning Su	DATE 6/8/23	FINISH	MODLE DC JACK
APPROVED BY: Jia Xiang	DATE 6/8/23	SCALE 1:1	DWG NO. GD-DC-0196
SHEET NO. 1 of 1		PART NO.	SIZE A4 VER R4